

Ox Bodies Inc.

Instruction & Warning Labels



Warning Label For 2-Way Tailgate Operations



Warning Label for High Lift Tailgate Operations



Warning Label For a Dump Body Safety Prop



Warning Label For Operation of a Semi-Automatic Tarp System



CAUTION

1. DO NOT operate this equipment until you have been properly trained in its operation.
2. When vehicle is in transit, the hoist control valve MUST BE kept in neutral and the PTO disengaged.
3. Tailgate controls MUST BE locked when the vehicle is in transit.
4. The vehicle MUST BE on level ground before dumping.
5. DO NOT dump on ground that has been recently excavated or filled without being properly compacted.
6. Operator MUST REMAIN at the controls during the dumping cycle.
7. Tailgate controls MUST BE released before the front of the body is 2 feet (0.6 m) above the chassis frame.
8. When operating, DO NOT allow anyone to stand in or move through the area where the hoist operates, or into an area when an upset load might fall.
9. When the truck is stored or not in use, the body MUST BE in the full lowered position, and resting on the chassis or hoist frame. Ignition key SHOULD BE removed to prevent tampering by unauthorized personnel.
10. Whenever the body is in any elevated or raised position for any repairs or adjustments, it MUST BE securely propped or blocked so it can not fall on anyone.

OX BODIES, INC.

Operation and Warning Label for Operating Ox Bodies Inc. Dumping Products.

The Best Cylinder Made Is Installed On This Vehicle, Commercial Intertech's

Here's How To Take Care Of It

- Do not drive on the road with the PTO engaged.
- Lock the operating lever before driving away.
- Do not raise dump body / trailer on unlevel ground.
Cylinders cannot withstand sideloading.
- Do not operate cylinder unless tractor and trailer are in line.
- Do not operate cylinder with people or equipment alongside.
- Do not operate cylinder at pressures above 2000 psi.
- Do not overload the dump truck / trailer.
- Don't jerk the truck / trailer when trying to dump a sticky load.
- The bed must be feathered-down when lowering a sticky or frozen load.
- The driver should stay at the controls during the entire dumping operation.
- The bed should be completely lowered before moving vehicle.
- Inspect hydraulic oil regularly and be sure to change it regularly and especially when a new cylinder is installed.
- Inspect all hydraulic hoses regularly.
- Regularly lubricate the cylinder's end-mounts.
- Be sure cylinder is free of entrapped air.

375-9079-028



Commercial Intertech

Operation and Warning Label For Operation and Maintenance of Hydraulic Cylinders.



Ox Bodies Inc. Preventive Maintenance

DUMP BODY LUBRICATION POINTS

To insure minimum wear of key pivot points, a periodic maintenance schedule should be established on the product. The illustration below indicates the key areas for grease lubrication as follows. **For closer view click on any number.**



- 1.** Top hydraulic cylinder pin located inside the inspection door at the hoist box.
- 2.** Bottom hydraulic cylinder pin located in the bottom cylinder mount. The body has to be raised and securely propped before lubricating.
- 3.** Rear body pivot flaps located at rear underneath of dump body. There is one grease point for each side.
- 4.** Tailgate hinge located underneath the pivot point of hinge at top of tailgate. The body has to be raised and securely propped with tailgate open. There is one grease point for each side. **WARNING: When dual body props are provided both body props must be used.**



CUT-OFF CABLE ADJUSTMENT

Depending on the operating conditions there will be times when the cut-off cable will need adjusting. This can be caused from normal stretching of the cable while in use or slippage of the cable clamps. The cable assembly is designed to pull the pump valve out of the raised position as the body nears the end of the stroke. This will keep the cylinder from "bottoming out" which could damage the cylinder.

THE PROCEDURE TO ADJUST THE CABLE IS AS FOLLOWS:

1. The body must be empty with no payload.
2. Raise the body to it's fullest extent then lower to about half of the top stage of the cylinder is exposed.
3. Check the pump control to make sure it is locked into the neutral position. **Securely prop body to keep from accidentally falling (when dual body props are provided both props must be used).**
4. Locate hydraulic pump underneath truck. At the rear of the pump locate the point where the cable is attached to the valve spool.
5. Loosen the cable clamps and remove the slack in the cable as much as possible. Re-tighten the clamp.
6. Raise the body and check for proper operation. If the cylinder still "bottoms out" repeat steps 4-5-& 6.

Ox Bodies Inc. Operation Instructions

OPERATION OF 2-WAY (BARN DOOR) TAILGATE

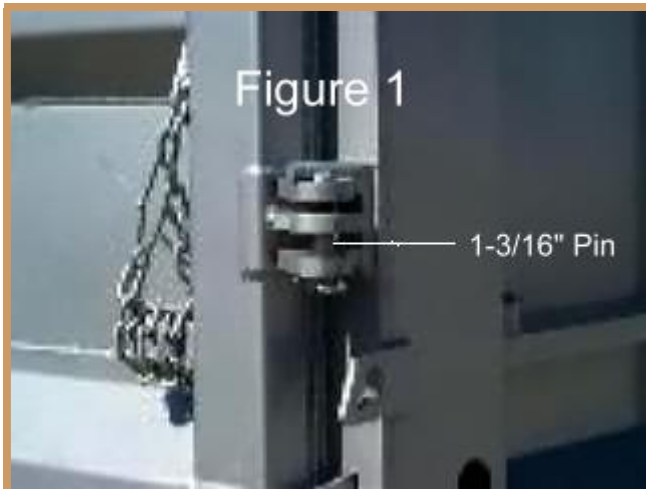


Figure 1. With tailgate and turnbuckle latched, insert the 1 3/16" pin in bottom with safety pin as illustrated.



Figure 2. Unlatch tailgate.



Figure 3. Unlock top latch with handle as illustrated. **Note: Never unlock this mechanism without first inserting pin with safety pin as seen in figure 1.**

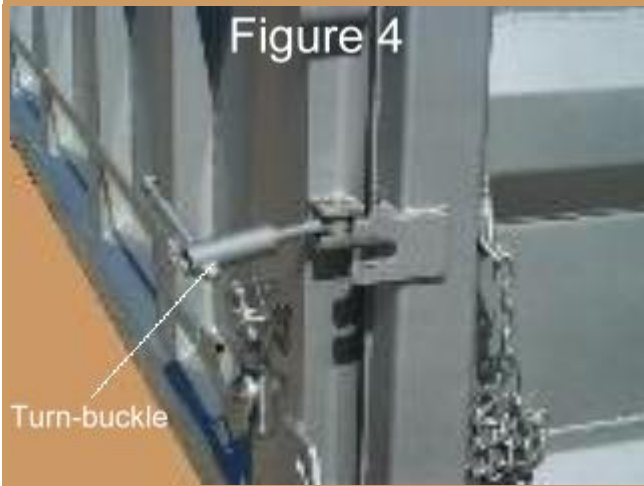


Figure 4

Turn-buckle

Figure 4. Unlock the turnbuckle.

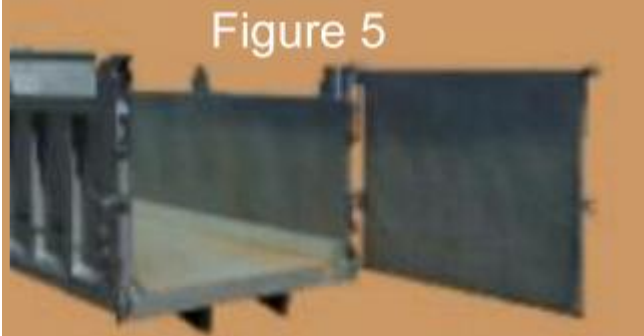


Figure 5

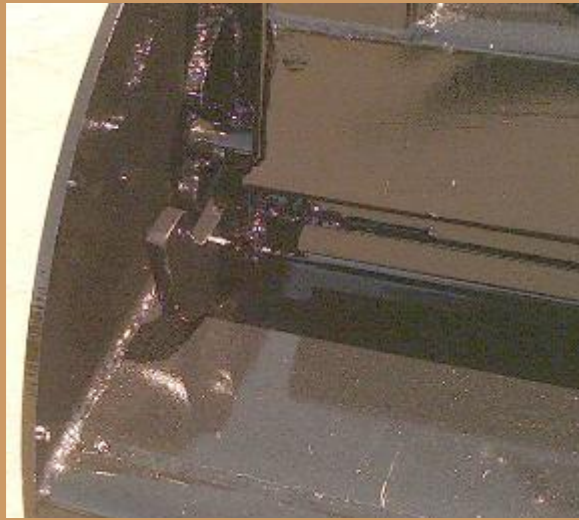
Figure 5. Swing the tailgate open.



Figure 6

Figure 6. Pin tailgate to side of body with additional safety pin as illustrated.
Note: Never leave tailgate in this position while in transit.

OPERATION OF "HIGH LIFT" TAILGATE FOR ELLIPTICAL STYLE DUMP BODIES



1. Unlatch tailgate.



2. Operate air control labeled "HIGH LIFT" to raise the tailgate to it's fullest open position. Dump the load completely and clear the truck from the stockpile. Lower the tailgate first then lower the dump body. Latch tailgate closed.

Ox Bodies Inc. Warranty Policy

All warranty calls should be directed our Warranty Manager at our home office in Fayette Al. (205) 932-5720.

A warranty repair authorization number (WRA#) **must** be issued before any payment or repairs will be considered. The Warranty Manager will issue this number at the time of original notification of any problem.

All defective or damaged parts must be returned for inspection by our vendors.

As always, Ox Bodies Inc. will continue to work closely with our customers to provide the best service possible. If you have any questions please contact us.



TRUCK BODY WARRANTY



Ox Bodies warrants that its truck bodies will be free from defects in materials and workmanship for a period of 1 (one) year from the date of shipment. Buyer's remedy for defective products shall be limited to repair, replacement, or credit at Ox Bodies option. All warranty claims must be authorized by Ox Bodies, Inc. before claim will be considered. Any warranty claims presented without prior authorization will be dismissed. Any defective products must be returned to Ox Bodies or to an Authorized Service Center for inspection, freight prepaid.

This warranty does not apply to truck bodies which have been misused or have been subject to improper application, damage, or repair. Warranty claims for items which upon inspection are found to be due to misuse, improper application, damage, improper repair, or lack of proper maintenance will not be honored.

Items such as loose fittings, hose leaks, loose nuts & bolts, unusual noises, and electrical fittings will be covered up to 90 days after in-service date. Problems such as these after this time period will be considered the result of normal use and are not warrantable items.

This does not include lift axle mounting hardware. Lift axle mountings have their own torque regimen which must be followed prior to 90 days. Failure to do so will void the warranty on the lift axle.

THIS WARRANTY IS THE ONLY WARRANTY APPLICABLE AND EXCLUDES ALL OTHER WARRANTIES, EXPRESSED OR IMPLIED (MERCHANT ABILITY, FITNESS FOR PARTICULAR PURPOSE, OR OTHER). UNDER NO CIRCUMSTANCES WILL OX BODIES OBLIGATION THEREUNDER INCLUDE

LABOR CHARGES OR CONSEQUENTIAL OR INCIDENTAL DAMAGES.

Warranty Manager

1-205-932-5720

(800) 844-2519

Fax 1-205-932-2594

warranty@oxbodies.com

Shipping Locations for returning parts:

Ox Bodies, Inc. - Arkansas
139 Old airport Road
Nashville, AR 71852
1-870-451-9021
Fax 1-870-451-9031

Ox Bodies, Inc. -
Alabama
719 Columbus St. East
Fayette, AL. 35555
1-205-932-5720
Fax 1-205-932-2594

Ox Bodies, Inc. - South
Carolina
195 Industrial Lane
Bennettsville, SC. 29512
1-843-479-0255
Fax 1-843-479-1817

Ox Bodies Inc. Installation Instructions

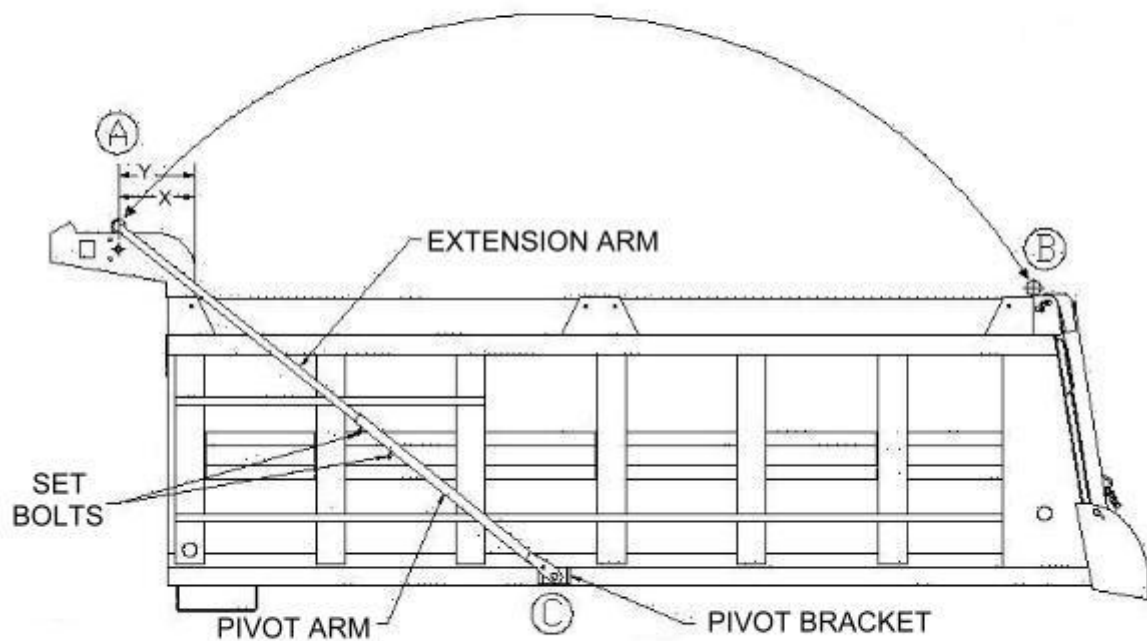
TARP SYSTEMS INSTALLATION INSTRUCTIONS

Installation of electric tarp system.

Installation of semi-automatic tarp systems

NOTE Y: (electric controls)
electric motor & roller assembly are located 21 inches
(on 36" & 42" cabshields) 16 inches (on 24" cabshields)
from rear of cabshield gusset.

NOTE B: tarp pipe rests in front
of tailgate to allow air
to escape from underneath
tarp cover.



NOTE X: (semi-automatic control)
front roller assembly is
located 12" from rear of
cabshield gusset

NOTE C: position pivot bracket by measuring until
point AC and BC become the same dimension
pivot bracket mounts with keyed slot in
shaft pointing downward.