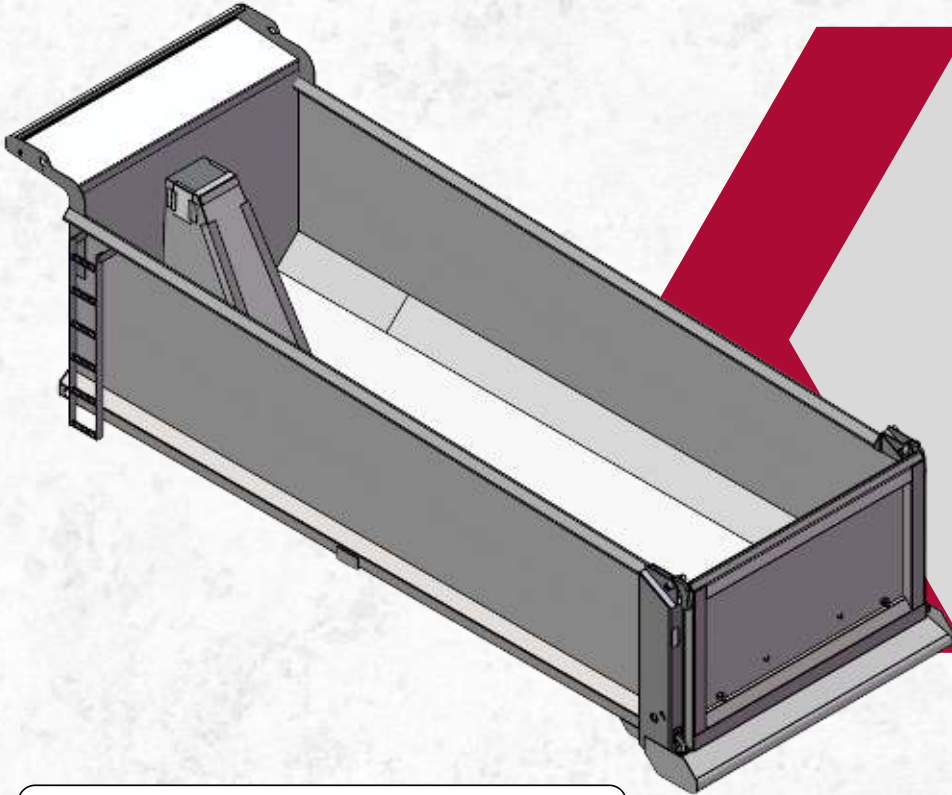


# CHISHOLM 19-6



Our BEST and most popular 19'6" Chisholm spec. The Ox Preferred Chisholm 19'6" is compatible with most Class 8 chassis applications including:

- Asphalt
- Demolition
- Aggregates
- Construction
- Paving
- & MORE!



OX™ Preferred Chisholm 19'6" Features:

- Body Style: Chisholm Square Body
- Length: 19'6"
- Side Height: 60" Front / 52" Rear
- Material: AR 450
- Tailgate Style: 1/4" AR - Outer Frame
- Top Rail: Diamond Style
- Lighting: FMVSS Compliant
- Paint: Black Finish Paint
- Control: Air shift / Air cutoff
- Capacity: 25 cu. yds.

## Q WHAT IS OX™ PREFERRED? ×

OX™ Preferred Specs are equipped with top features, built for versatility, and optimized for quicker production cycles.

OX™ Preferred is an *elite* choice and includes:

- Ready-to-Build status
- Priority Delivery
- Stock Bodies seasonally available

**ORDER YOUR  
OX PREFERRED  
SPEC TODAY!**

**OX BODIES**



**"As Strong As An Ox"**

Subsidiary of Federal Signal Corporation

[www.oxbodies.com](http://www.oxbodies.com)  
[sales@oxbodies.com](mailto:sales@oxbodies.com)  
800-844-2519