

STAMPEDE 16

Our BEST and most popular 16' Stampede spec. The Ox Preferred Stampede 16 is compatible with most Class 8 chassis applications including:

- Asphalt
- Demolition
- Aggregates
- Construction
- Paving
- & MORE!



OX™ Preferred Stampede 16 Features:

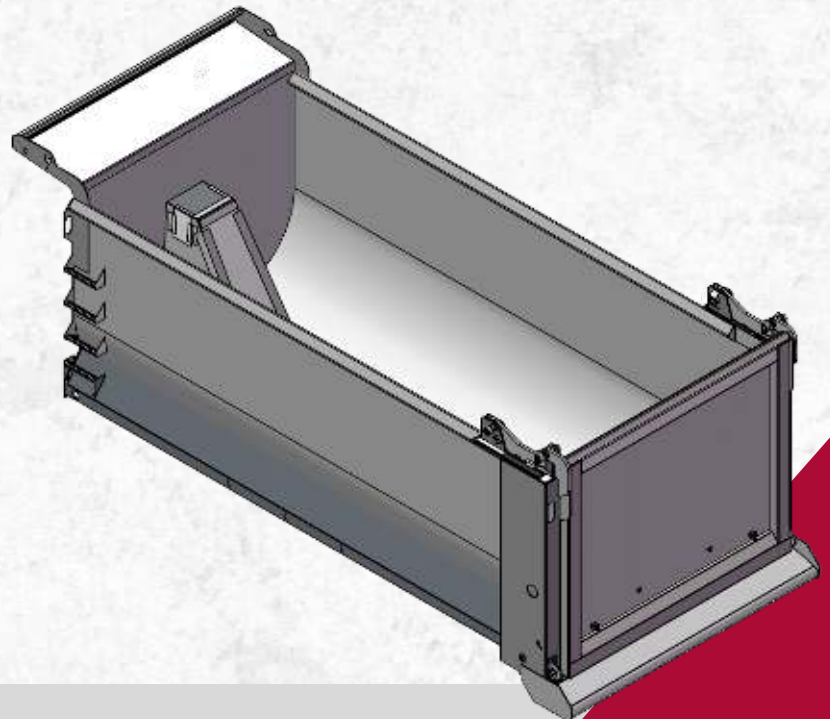
- Body Style: Stampede Elliptical Body
- Length: 16'
- Side Height: 66"
- Material: AR 450
- Tailgate Style: Air High-Lift
- Top Rail: Diamond Style
- Lighting: FMVSS Compliant
- Paint: Black Finish Paint
- Control: Air Shift / Air Cutoff
- Capacity: 23 cu. yds.

Q WHAT IS OX™ PREFERRED? ×

OX™ Preferred Specs are equipped with top features, built for versatility, and optimized for quicker production cycles.

OX™ Preferred is an *elite* choice and includes:

- Ready-to-Build status
- Priority Delivery
- Stock Bodies seasonally available



OX BODIES



"As Strong As An Ox"

Subsidiary of Federal Signal Corporation

www.oxbodies.com
sales@oxbodies.com
800-844-2519