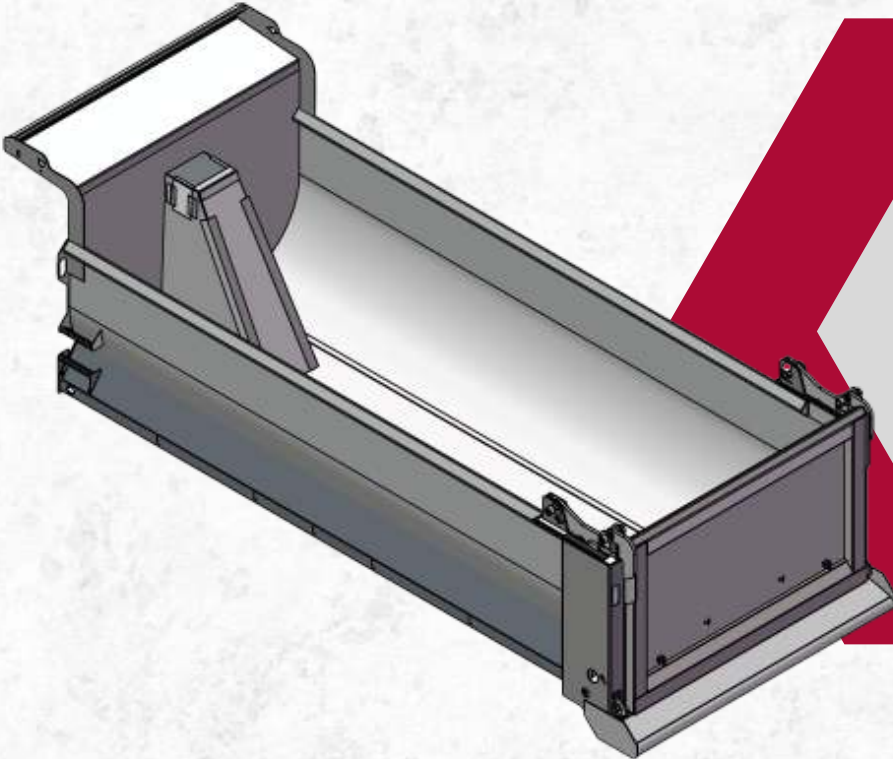


STAMPEDE 17-6



Our BEST and most popular 17'6" Stampede spec. The Ox Preferred Stampede 17'6" is compatible with most Class 8 chassis applications including:

- Asphalt
- Demolition
- Aggregates
- Construction
- Paving
- & MORE!



OX™ Preferred Stampede 17'6" Features:

- Body Style: Stampede Elliptical Body
- Length: 17'6"
- Side Height: 48"
- Material: AR 450
- Tailgate Style: Air High Lift
- Top Rail: Diamond Style
- Lighting: FMVSS Compliant
- Paint: Black Finish Paint
- Control: Air shift / Air cutoff
- Capacity: 18 cu. yds.

Q WHAT IS OX™ PREFERRED? ×

OX™ Preferred Specs are equipped with top features, built for versatility, and optimized for quicker production cycles.

OX™ Preferred is an *elite* choice and includes:

- Ready-to-Build status
- Priority Delivery
- Stock Bodies seasonally available

**ORDER YOUR
OX PREFERRED
SPEC TODAY!**

OX BODIES



"As Strong As An Ox"

Subsidiary of Federal Signal Corporation

www.oxbodies.com
sales@oxbodies.com
800-844-2519