

STAMPEDE 16

Our BEST and most popular 16' Stampede spec. The Ox Preferred Stampede 16 is compatible with most Class 8 chassis applications including:

- Asphalt
- Demolition
- Aggregates
- Construction
- Paving
- & MORE!



OX™ Preferred Stampede 16 Features:

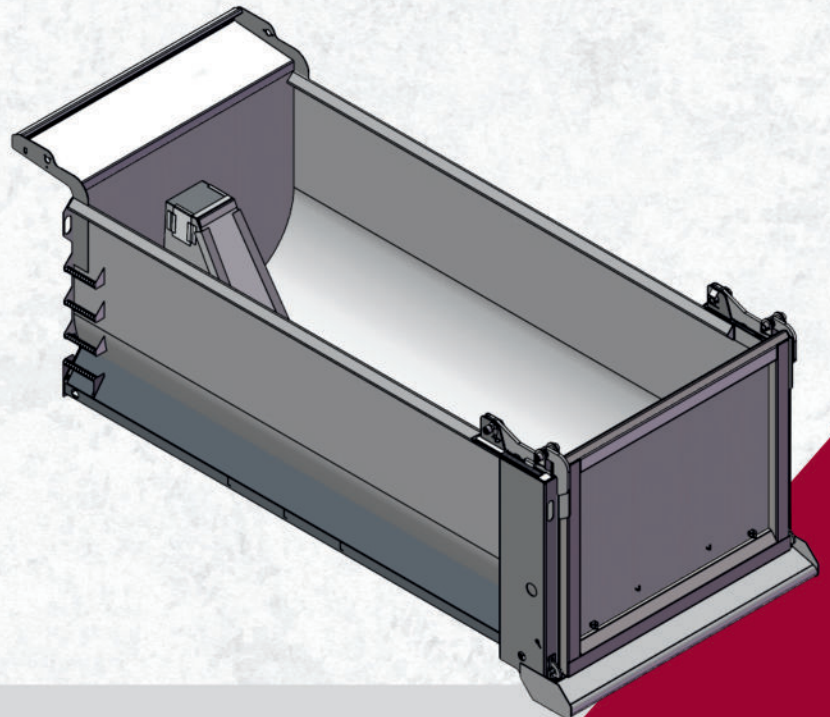
- Body Style: Stampede Elliptical Body
- Length: 16'
- Side Height: 66"
- Material: AR 450
- Tailgate Style: Air High-Lift
- Top Rail: Diamond Style
- Lighting: FMVSS Compliant
- Paint: Black Finish Paint
- Control: Air Shift / Air Cutoff
- Capacity: 23 cu. yds.

Q WHAT IS OX™ PREFERRED? ×

OX™ Preferred Specs are equipped with top features, built for versatility, and optimized for quicker production cycles.

OX™ Preferred is an *elite* choice and includes:

- Ready-to-Build status
- Priority Delivery
- Stock Bodies seasonally available



OX BODIES®



"As Strong As An Ox"

Subsidiary of Federal Signal Corporation

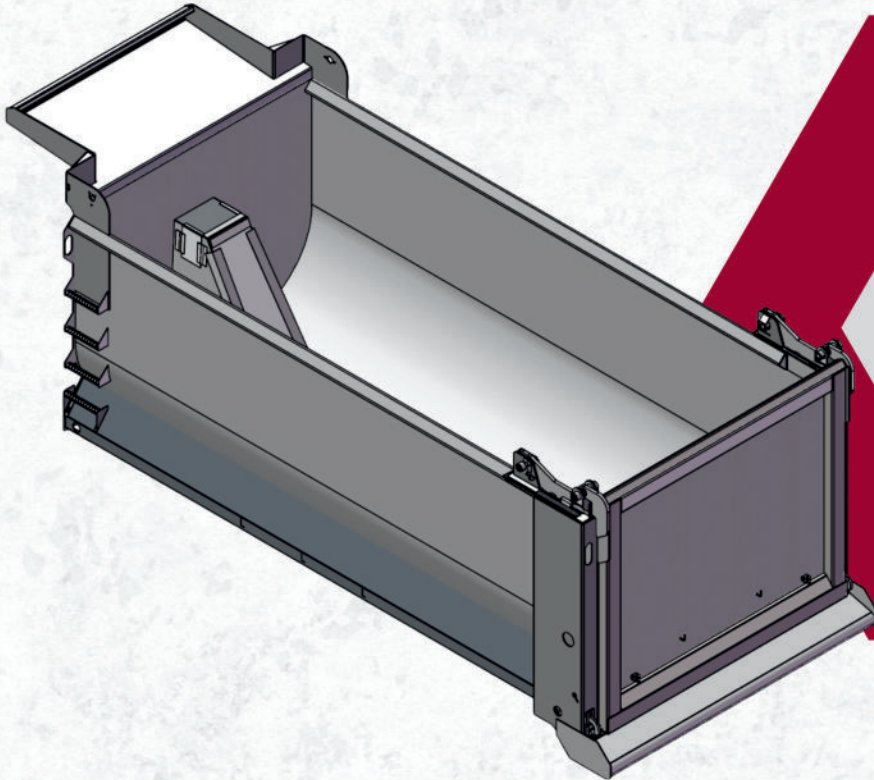
www.oxbodies.com
sales@oxbodies.com
800-844-2519

STAMPEDE 16-N



Our BEST and most popular 16' Stampede spec equipped with a *narrow cabshield*. The Ox Preferred Stampede 16-N is compatible with most Class 8 chassis applications including:

- Asphalt
- Demolition
- Aggregates
- Construction
- Paving
- & MORE!



OX™ Preferred Stampede 16 Features:

- Body Style: Stampede Elliptical Body
- Length: 16'
- Side Height: 66"
- Material: AR 450
- Tailgate Style: Air High-Lift
- Top Rail: Diamond Style
- Cabshield: Narrow Style
- Lighting: FMVSS Compliant
- Paint: Black Finish Paint
- Control: Air Shift / Air Cutoff
- Capacity: 23 cu. yds.

Q WHAT IS OX™ PREFERRED? ×

OX™ Preferred Specs are equipped with top features, built for versatility, and optimized for quicker production cycles.

OX™ Preferred is an *elite* choice and includes:

- Ready-to-Build status
- Priority Delivery
- Stock Bodies seasonally available

**ORDER YOUR
OX PREFERRED
SPEC TODAY!**

OX BODIES®



"As Strong As An Ox"

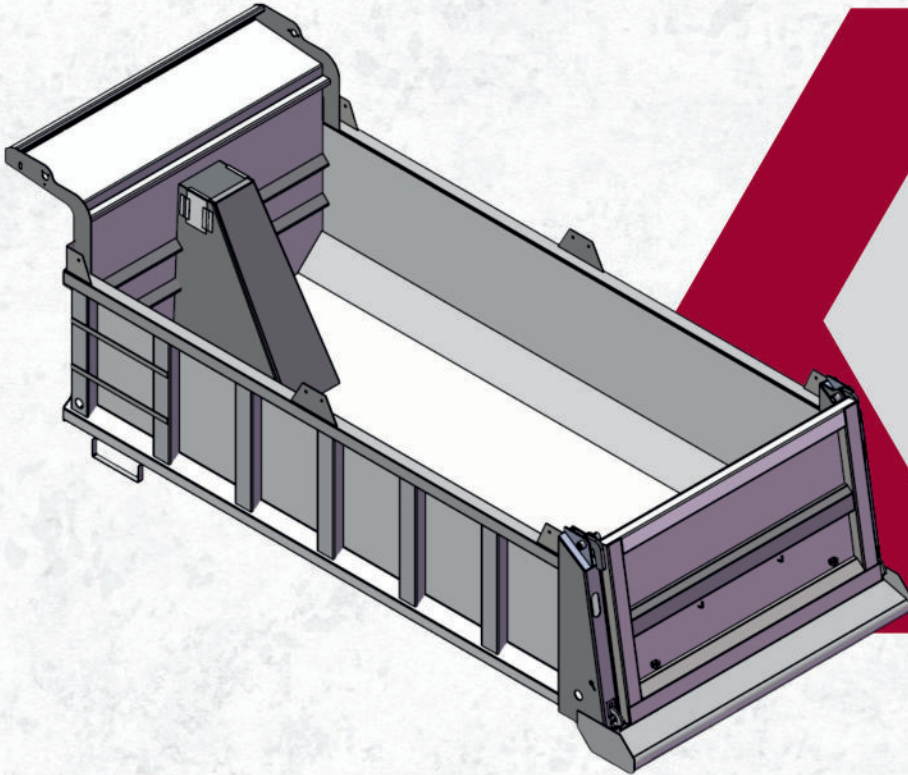
Subsidiary of Federal Signal Corporation

www.oxbodies.com
sales@oxbodies.com
800-844-2519

MAVERICK 16

Our BEST and most popular 16' Maverick spec. The Ox Preferred Maverick 16 is compatible with most Class 8 chassis applications including:

- Asphalt
- Aggregates
- Construction
- Paving
- & MORE!



OX™ Preferred Maverick 16 Features:

- Body Style: Maverick Square Body
- Length: 16'
- Side Height: 42"
- Material: 10 ga.
- Tailgate Style: 1 horizontal brace
- Top Rail: Square Tubing
- Lighting: FMVSS Compliant
- Paint: Black Finish Paint
- Control: Air shift / Air cutoff
- Capacity: 16 cu. yds.

Q WHAT IS OX™ PREFERRED? ×

OX™ Preferred Specs are equipped with top features, built for versatility, and optimized for quicker production cycles.

OX™ Preferred is an *elite* choice and includes:

- Ready-to-Build status
- Priority Delivery
- Stock Bodies seasonally available

**ORDER YOUR
OX PREFERRED
SPEC TODAY!**

OX BODIES®



"As Strong As An Ox"

Subsidiary of Federal Signal Corporation

www.oxbodies.com
sales@oxbodies.com
800-844-2519

MAVERICK 10



Our BEST and most popular 10' Maverick spec. The Ox Preferred Maverick 10 is compatible with most Class 6-7 Single Axle chassis applications including:

- Public Works
- Light Construction
- Contracting
- & More!



OX™ Preferred Maverick 10 Features:

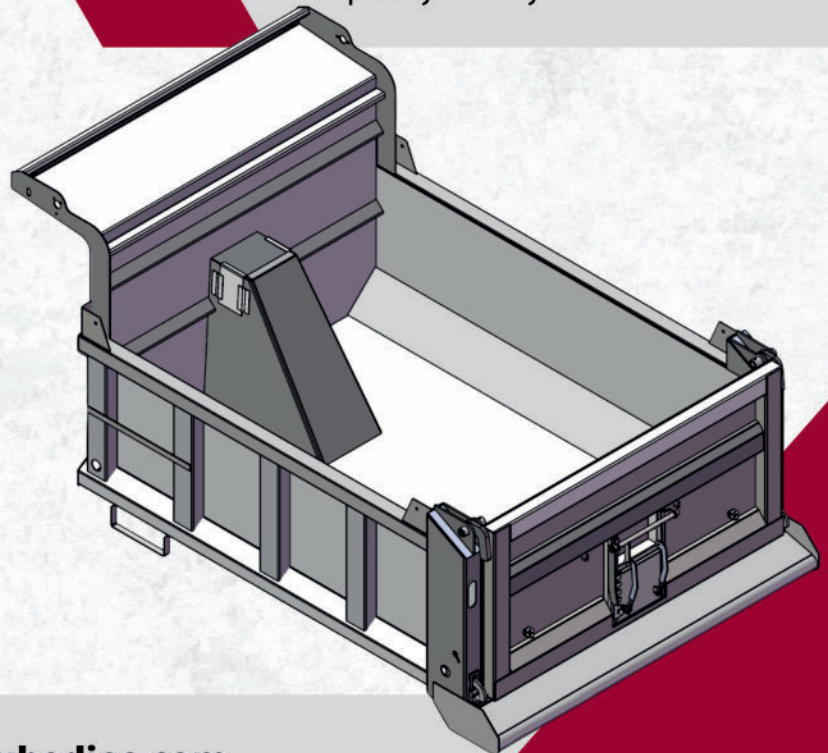
- Body Style: Maverick Square Body
- Length: 10'
- Side Height: 36"
- Side/Front Material: 10 ga.
- Tailgate Material: 7 ga.
- Floor Material: 3/16"
- Tailgate Style: Coal Chute
- Top Rail: Square
- Lighting: FMVSS Compliant
- Paint: Black Finish Paint
- Control: Air shift / Air cutoff
- Capacity: 9 cu. yds.

Q WHAT IS OX™ PREFERRED? X

OX™ Preferred Specs are equipped with top features, built for versatility, and optimized for quicker production cycles.

OX™ Preferred is an *elite* choice and includes:

- Ready-to-Build status
- Priority Delivery
- Stock Bodies seasonally available



OX BODIES®



"As Strong As An Ox"

Subsidiary of Federal Signal Corporation

www.oxbodies.com
sales@oxbodies.com
800-844-2519