

OX BODIES®



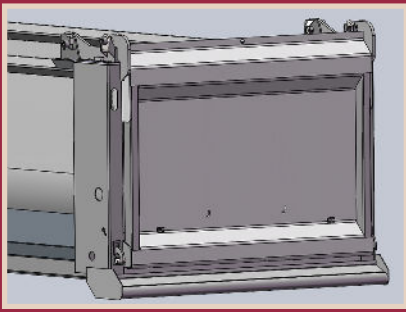
"As Strong As An Ox"

STAMPEDE



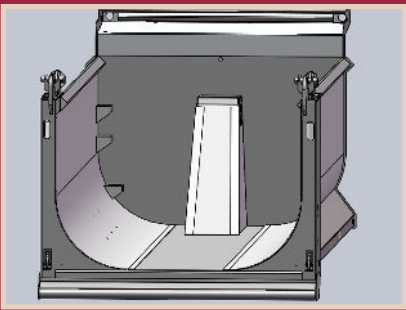
Stampede is your dump body of choice for Class 8 applications. It is the embodiment of "As Strong as an Ox" and is engineered to handle substantial loads with ease! The smooth, seamless, full-length, radius sides prevent damage and help materials unload cleanly. Stampede is made for extreme duty applications involving large rock, construction riprap, and demolition materials. Ox Bodies is the premier dump body manufacturer in North America, delivering top-quality products and service to our customers for over 50 years.

Stampede now comes standard with our NEW! formed tailgate, constructed from high-tensile AR 450 steel. Featuring no vertical weld seams, unobstructed center panel, and angled, debris-shedding surfaces, our tailgate sets the industry benchmark with its innovative design and durability.



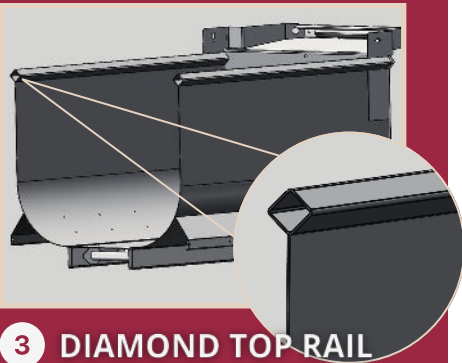
1 FORMED TAILGATE

Strong and reliable design constructed of formed high-tensile AR450 steel. Absence of welds reinforces strength and angled surfaces shed debris to help keep the tailgate clean.



2 ELLIPTICAL SHAPE

Full-length, seamless radius sides create a true elliptical shape that prevents damage and material hang-up.



3 DIAMOND TOP RAIL

Naturally dirt-shedding top rail for better self-cleaning. Option to add boards available.



	STAMPEDE
Lengths:	14' - 21'
Side heights:	48" - 66"
Side style:	Elliptical
Floor material:	3/16" or 1/4" AR 450 steel
Side material:	3/16" or 1/4" AR 450 steel
Front material:	3/16" or 1/4" AR 450 steel
Tailgate:	3/16" AR 450 steel
Body capacity:	13.6 - 28.9 cubic yards
Understructure:	8" x 2" tubing, crossmemberless
Hoist:	Telescopic hoist