

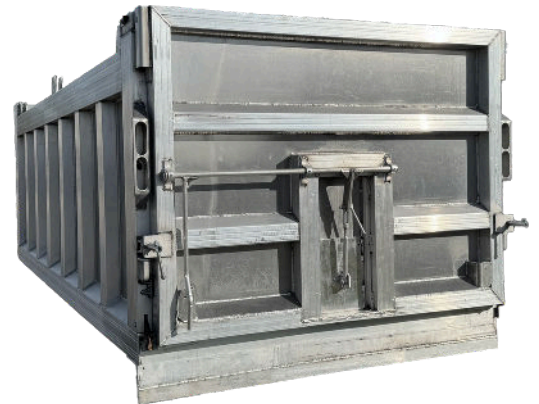
# OX BODIES®



**"As Strong As An Ox"**

## **CLASSIC**

Aluminum Sheet & Post Dump Truck Body



The Classic aluminum sheet & post dump body is built for general haulers and fleet operators who value simplicity, reliability, and payload efficiency. With time-tested construction, the Classic delivers dependable performance for hauling aggregates like sand, asphalt, and gravel.

**Lightweight Construction** = More Payload = More Profit

**Straightforward Design** for easy maintenance and repair

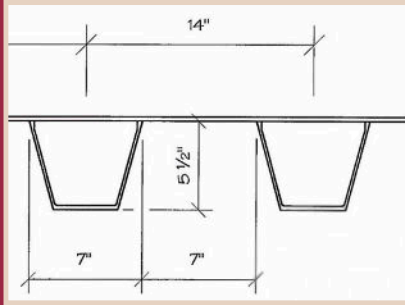
**Durable Aluminum Build** for long-term value

Whether you're running a single truck or managing a fleet, the Classic body is a smart, efficient solution for everyday hauling.



**LIGHTER BUILD, BIGGER HAULS**

The Classic's aluminum sheet & post design offers weight savings that translate into more payload per trip, and more profit.



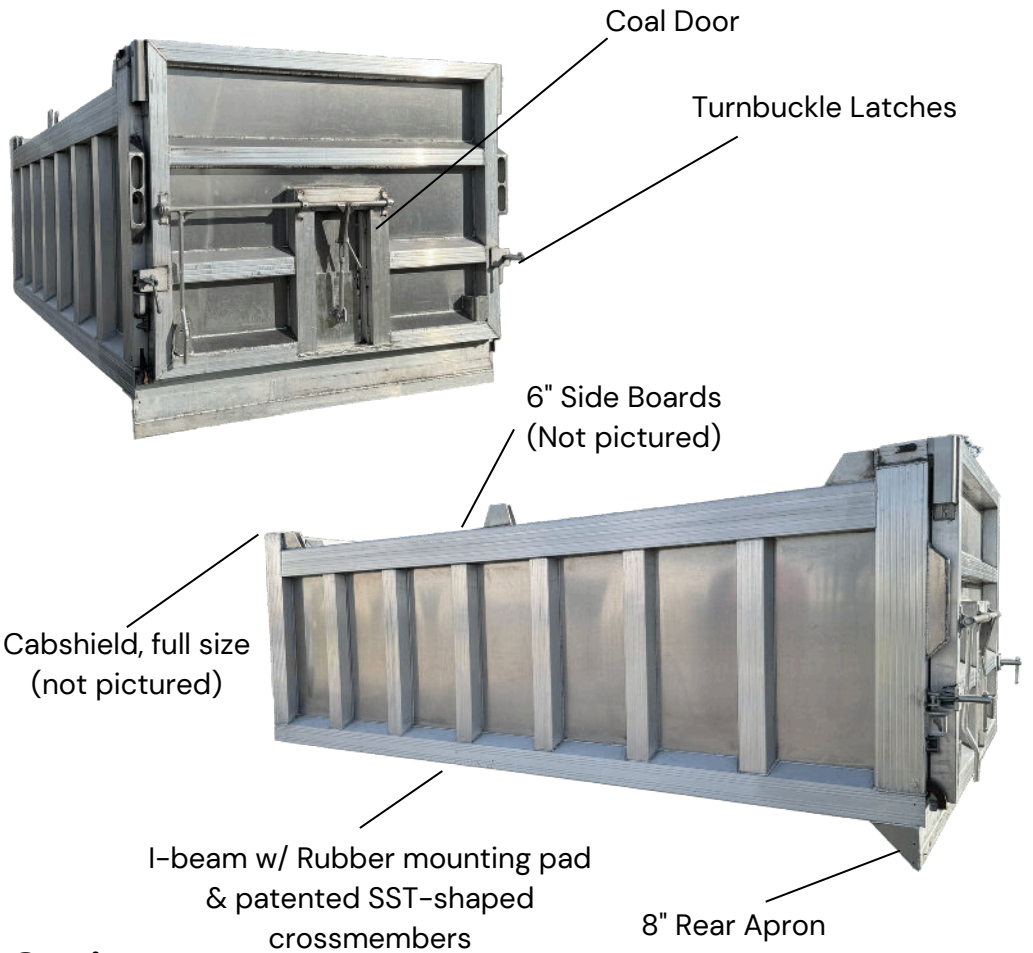
**ENGINEERED FOR STRENGTH, BUILT FOR THE FIELD**

Classic features patented SST-shaped crossmembers that deliver superior floor support and durability without added weight.



**STRAIGHT-FORWARD CONSTRUCTION, EASY REPAIRS**

With its traditional sheet & post layout, the Classic is easy to maintain and repair, ideal for fleets that value uptime.



**Options:**

- Liner
- Strobes on cabshield & rear
- Spillshield 6" - 12"
- Tailgate safety latches
- Steps or ladders
- Vibrators
- 6"-12" board pockets
- Sliding Hardware tailgate hinge or double hinge
- Single coal door in line with handle

	<b>Classic</b>
Lengths:	16' - 22'
Body Width:	96"
Side heights:	48", 54", 60", 66", 72"
Side style:	Sheet & Post
Floor material:	1/4" or 3/8" Aluminum
Side material:	3/16" 5454-H34 alloy Aluminum
Front material:	1/4" 5454-H34 alloy Aluminum
Tailgate:	1/4" 5454-H34 alloy Aluminum
Body capacity:	~22-23 cu. yds (19' x 54" sides)
Understructure:	SST-Shaped Crossmembers, Full-length 8" I-beam longmembers with rubber mounting pad
Hoist:	Trunnion Style Hoist
Weight:	3,360 lbs. (17'6" w/ 60" sides, no cabshield)